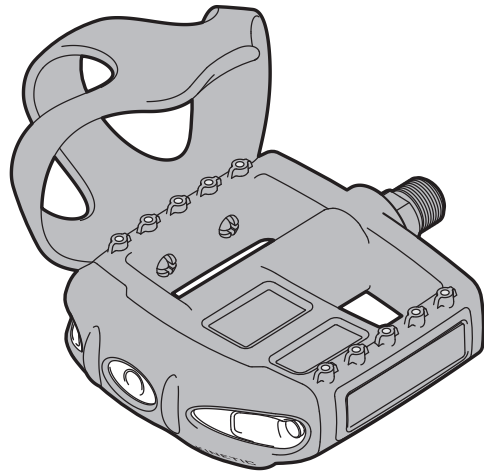


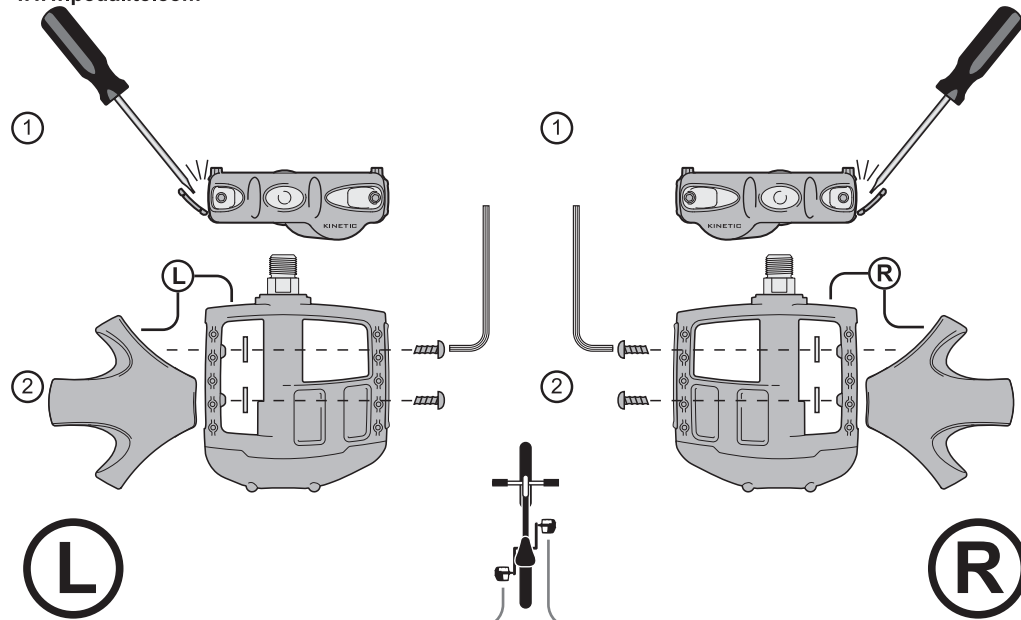


KPL200TC

www.pedalite.com



Pedalite International Limited. England

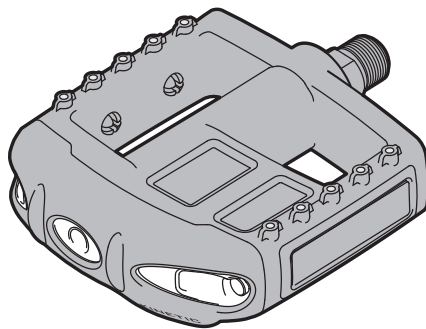


LOT

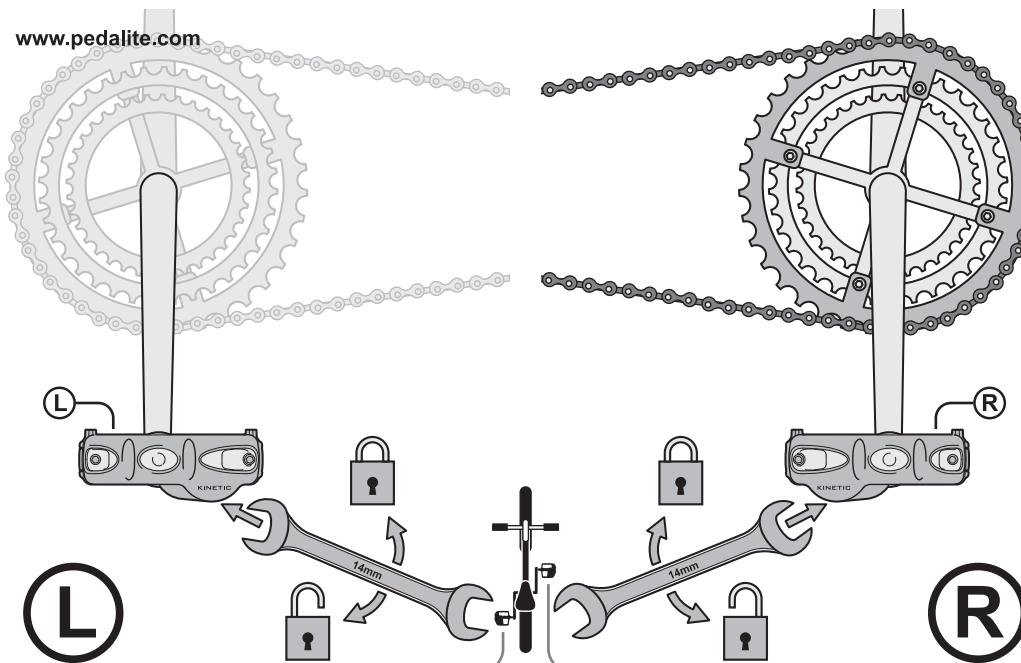
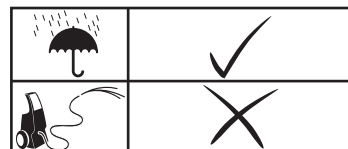


KPL200

www.pedalite.com



Pedalite International Limited. England



Warranty: Pedalite is covered by a one-year warranty. Please quote the LOT No. shown on the back in all correspondence.

Customer Service: info@pedalite.com

Bicycle Lighting Regulations:
It is the cyclist's responsibility to ensure that their bicycle complies with local, state, regional, national or federal laws or regulations with regard to bicycle lights. Pedalite Ltd will bear no responsibility for non-compliance; Pedalites should be used as additional lighting to your existing front and rear lights.

Patents: UK 2334154 B, EU 1053167, USA 61104096, Hong Kong 01105931.0, China 1106311, S. Korea 10-2000-7009398, New Zealand 506611, Australia 741184, Canada 2318841, Japan 2000-530011, Russia 2234437.

Pedalite® Is Registered Trademark: UK 2165320, EU E1119221, USA 75/684906, Japan 4431955, Australia 789402, Canada 1010450.

Registered Design: UK 3018949, EU 000301064, Japan application no. 2005-7651, USA 29/225.358.

More information: please go to www.pedalite.com

LOT

Pedalite International Limited. England